



SWITCH MODE POWER SUPPLY

PS24-1.5A

APPLICATIONS

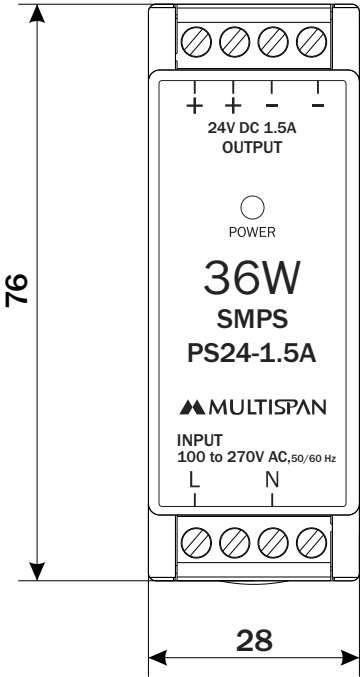
Robotics

Automation Panel

Elevators

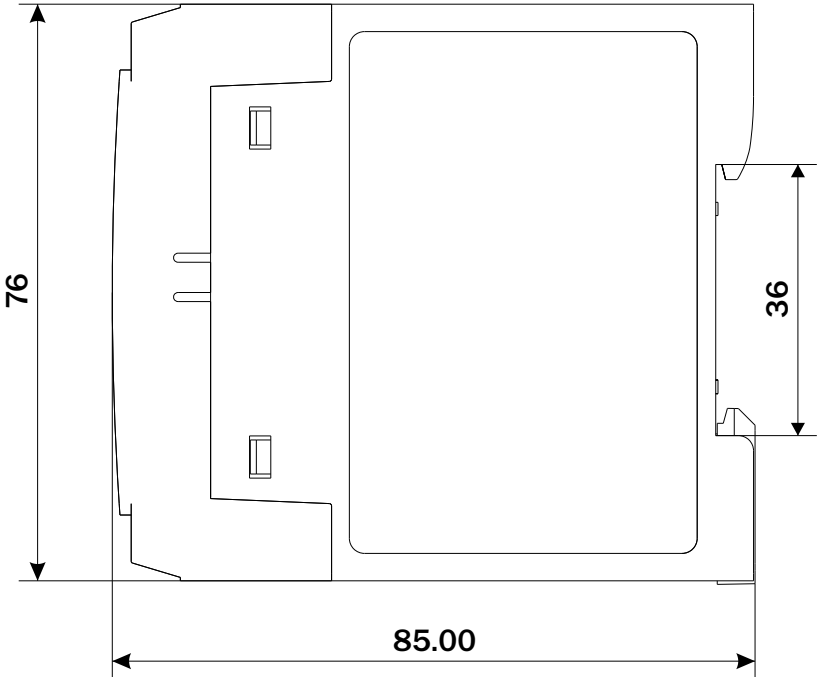
Special Purpose Machine

Mechanical Dimensions



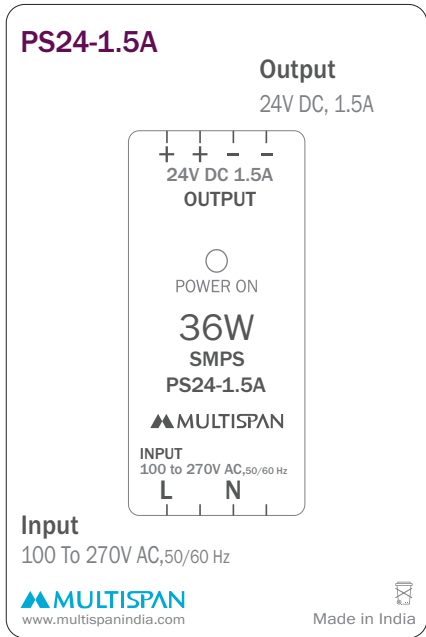
FRONT VIEW

All dimensions are in mm



RIGHT SIDE VIEW

CONNECTION DIAGRAM



Features

- 36W rated power
- Compact Size
- LED Indicate For Power ON
- Din Rail Mount
- Cooling by free air convection

Protection Available

- ▶ Overload, Output short circuit, Over Temperature

Input Specification

Supply Voltage	100 to 270V AC±10%,(L-N)
Frequency Range	50/60 Hz
AC Current (TYP.)	0.650A@100V AC 0.320A@270V AC
Efficiency (TYP.)	>85%@230VAC
Start UP time	<1 sec@230V AC & <3 sec@100VAC (Full Load)

Output Specification

Nominal DC Voltage	24V DC
Output Current	1.5A at 24V
Ripple & noise	<1% of V out
Line Regulation	±1%
Load Regulation	±1%
Hold UP Time	<60ms at 230V AC & >15ms at 100V AC (Full Load)

LED Indication

LED 1	Power On
-------	----------

Protection

Input Fused	3.15A -250V AC Internal
Output Over Load	110% of rated output Current protection Protection Type : hiccup mode; recover automatically after fault condition is removed
Output Short Circuit	Hiccup mode when output is shorted; Recovers automatically after fault condition is removed.
Over Temperature	Power supply shuts down when the temperature goes above specified limit; Turns on automatically after temperature goes back to Normal operating conditions.
Isolation between Input and Output :	2.5 KV

Environmental

Working Temperature	-25 °C to 50 °C * De-rate output power at 3w/ °C above +50 °C Ambient
Storage Temperature	-40 °C to 85 °C
Relative Humidity	95% RH Non-condensing

Mechanical Characteristics

Mounting Type	DIN Rail Mount
Dimension (HxWxD) mm	76 x 28 x 85
Material	Body Polycarbonate (PC)
Terminal Screw Size	M3
Screw Torque (N.m)	0.5
Wire Gauge (AWG)	28-12
Weight (Approx) gms	Unpacked : 140 Packed : 149